

Pomeas Macro Lens Series

PMS-05ML130

1. Support 3MP CCD camera or below
2. High resolution super low distortion even illumination image.
3. Support 2/3" camera
4. Standard C-Mount



Max.Sensor Size
2/3"

Magnification
0.5X

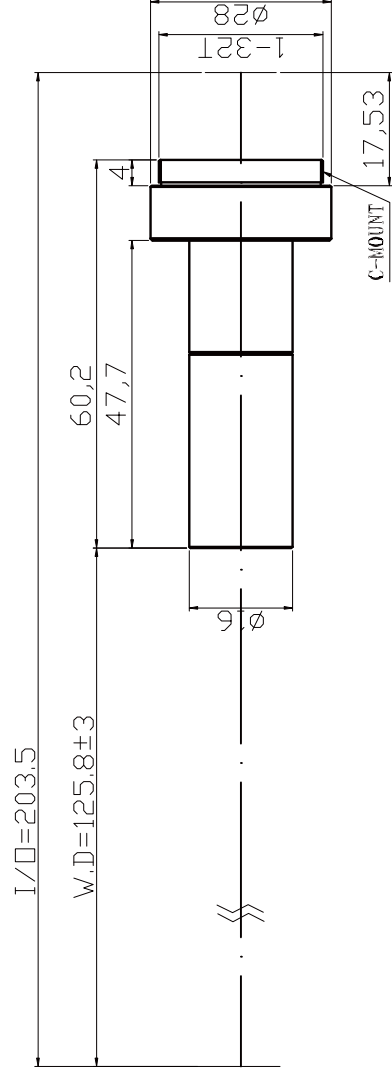
Working Distance
130mm


Resolution
8.18um

C-Mount

Code		PMS-05ML130
Magnification		0.5X
Field of View	1/4"	6.4mm×4.8mm
	1/3"	9.6mm×7.2mm
	1/2.5"	11.5mm×8.6mm
	1/2.3"	12.3mm×9.2mm
	1/2"	12.8mm×9.6mm
	1/1.8"	14.3mm×10.7mm
	2/3"	17.6mm×13.2mm
Working Distance		130mm
Resolution		8.18um
F.No.		6.24
TV Distortion		0.02%
Depth of Field*1		1.95mm
N.A.		0.041
Max.Sensor Size		2/3"
Mount		C-Mount
Illumination		--
Working Temperature		-10°C ~ +50°C

*1: Theoretical calculating value(based on diameter of defocused spots is 4mm),in the reality application, take its 1/2 will gain the best effect.



Unit:mm	Scale	1:1
	Name	PMS-05ML130
0.0 inch 1.0	Date	2013.10.30
0.0 mm 25.0	POMEAS	