

## Pomeas Macro Lens Series

### PMS-06ML110

1. Support 3MP CCD camera or below
2. High resolution super low distortion even illumination image.
3. Support 2/3" camera
4. Standard C-Mount



Max.Sensor Size  
2/3"

Magnification  
0.6X

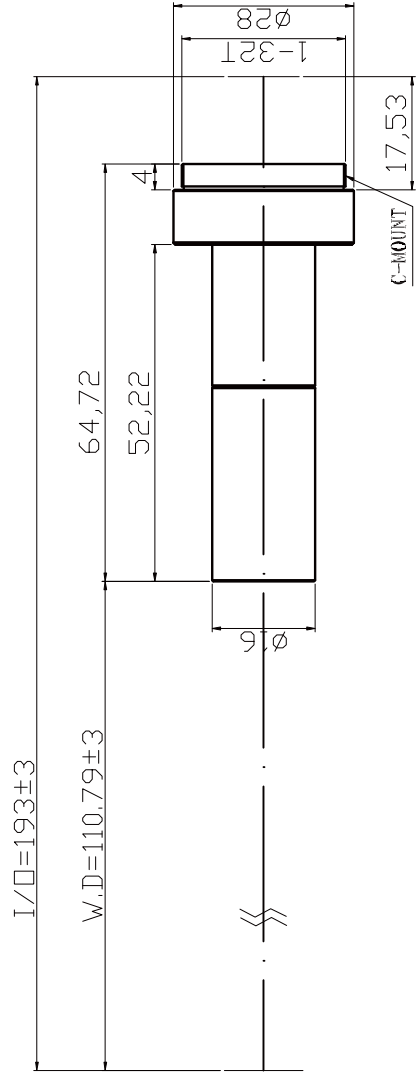
Working Distance  
110mm

Resolution  
7.29um

C-Mount

Code		PMS-06ML110
<b>Magnification</b>		0.6X
<b>Field of View</b>	1/4"	5.3mm×4.0mm
	1/3"	8.0mm×6.0mm
	1/2.5"	9.6mm×7.2mm
	1/2.3"	10.3mm×7.7mm
	1/2"	10.7mm×8.0mm
	1/1.8"	11.9mm×8.9mm
	2/3"	14.7mm×11.0mm
<b>Working Distance</b>		110mm
<b>Resolution</b>		7.29um
<b>F.No.</b>		6.67
<b>TV Distortion</b>		0.02%
<b>Depth of Field*1</b>		1.45mm
<b>N.A.</b>		0.046
<b>Max.Sensor Size</b>		2/3"
<b>Mount</b>		C-Mount
<b>Illumination</b>		--
<b>Working Temperature</b>		-10°C ~ +50°C

\*1: Theoretical calculating value(based on diameter of defocused spots is 4mm),in the reality application, take its 1/2 will gain the best effect.



Unit: mm	Scale	1:1
	Name	PMS-06ML110
0.0 inch 1.0	Date	2013.10.30
0.0 mm 25.0	<b>POMEAS</b>	