

Pomeas TC Standard Telecentric Lens Series

PMS-1ST85

1. Support 1MP camera or below
2. Low distortion, high telecentricity and deep depth of field, more suitable for high precision positioning and measuring
3. Telecentric design
4. Support 2/3" sensor
5. Standard C-Mount



Max.Sensor Size
2/3"

Magnification
1.0X

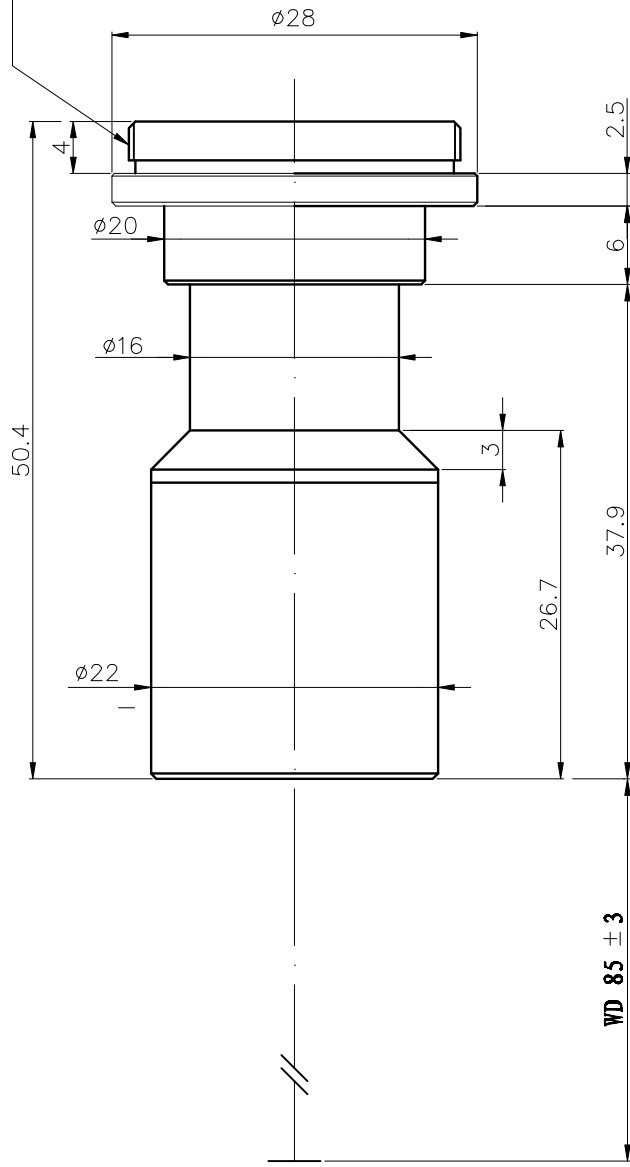
Working Distance
85mm


Resolution
8.39μm

C-Mount

Code		PMS-1ST85
Magnification		1.0X
Field of View	1/4"	3.2mm×2.4mm
	1/3"	4.8mm×3.6mm
	1/2.5"	5.7mm×4.3mm
	1/2.3"	6.2mm×4.6mm
	1/2"	6.4mm×4.8mm
	1/1.8"	7.1mm×5.4mm
	2/3"	8.8mm×6.6mm
Working Distance		85mm
Resolution		8.39μm
F.No.		12.4
TV Distortion		0.002%
Depth of Field		1.00mm
N.A.		0.04
Max.Sensor Size		2/3"
Mount		C-Mount
Illumination		--
Working Temperature		-10°C ~ +50°C

C-Mount



Unit:mm	Scale	1:1
	Name	PMS-1ST85
0.0 inch 1.0	Date	2012.7.20
0.0 mm 25.0	POMEAS	