

POMEAS 4/3" FA Lens Series:
12MP: PMS-50XC12M



Product Introduction

- ◆ High resolution.
- ◆ Multi layer coating, high transmittance, effective suppression of stray light.
- ◆ Large target area and wide field of vision.
- ◆ Anti vibration and anti impact function.

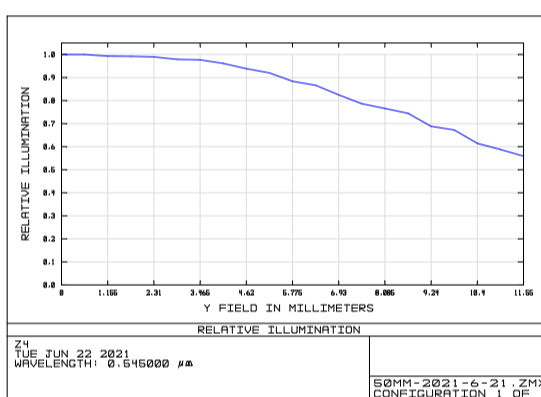
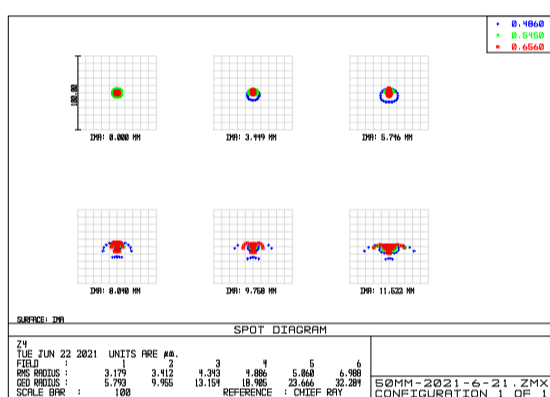
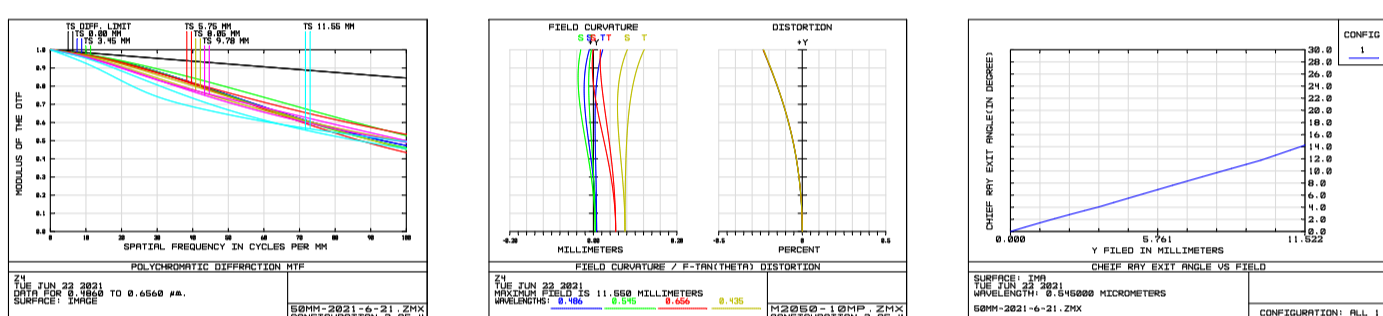
Product Application

Widely used in machine vision, production automation and other industries.

PMS-50XC12M Product Parameter

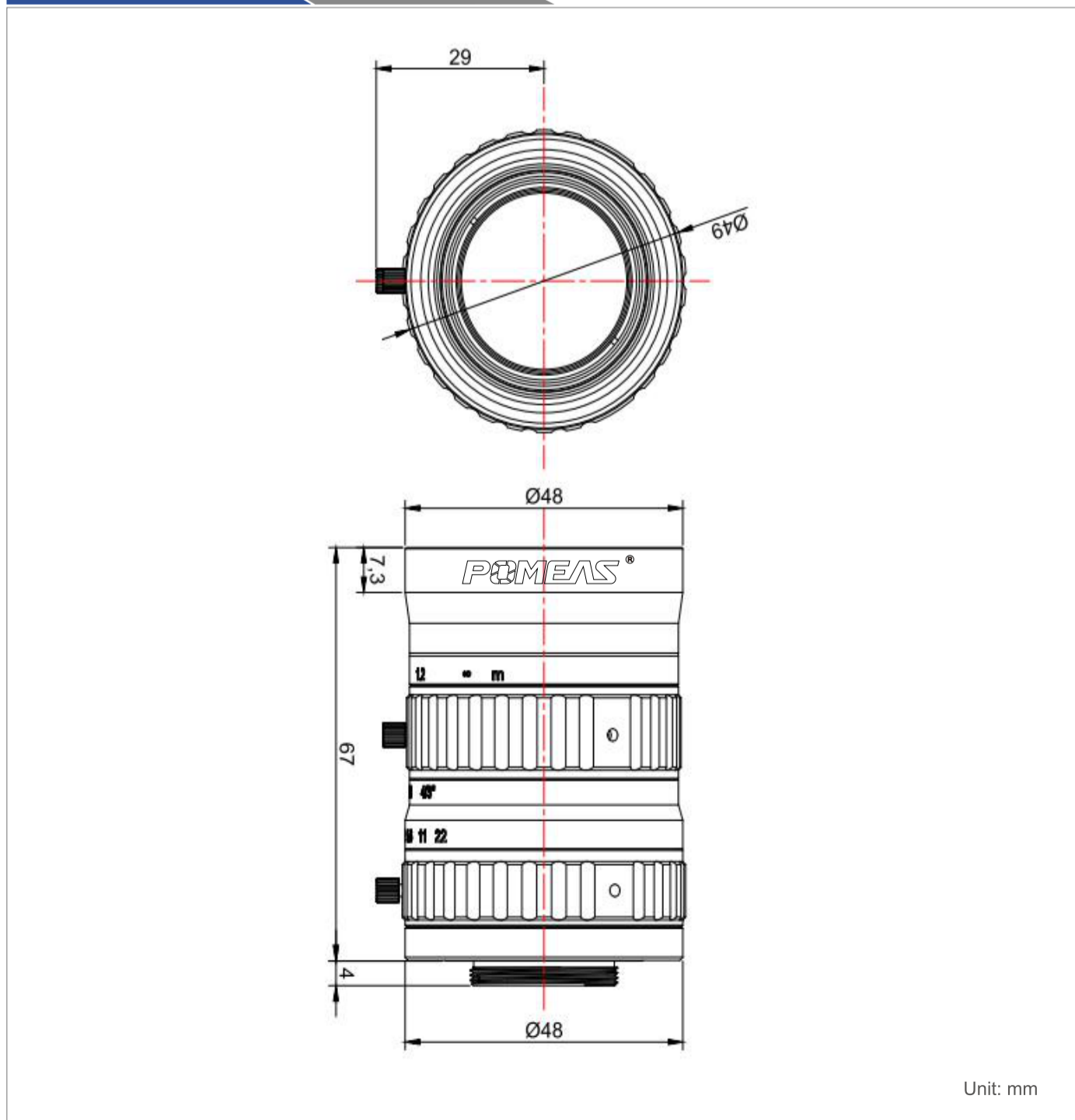
Model		PMS-50XC12M
Sensor Size		4/3" (23mm)
Wavelength		420~1000nm
Focal Length		50mm
Interface		C-Mount
Iris		F2.0-F22
FOV(Diagonal, Horizontal, Vertical)	4/3"	26.0°×21.0°×15.8°
	1"	18.3°×14.7°×11.1°
	1/2"	9.2°×7.3°×5.6°
Object Size(At the closest focusing distance)	4/3"	118.9×95.1×71.3mm
	1"	82.7×66.1×49.6mm
	1/2"	41.4×33.1×24.9mm
Back Focal Length (In Air)		20mm
Operation Mode	Focus	Manual
	Iris	Manual
Distortion	4/3"	-0.13%@y=11.5mm
	1"	-0.05%@y=8.0mm
	1/2"	-0.01%@y=4.0mm
Focus Range		0.3m~∞
Filter Thread Diameter		M46×P0.75
Weight		219g
Working Temperature		-20°C ~ +60°C

PMS-50XC12M MTF Curve



Working Distance	Magnification	FOV					
		4/3"		1"		2/3"	
		H(18mm)	V(13.5mm)	H(8.8mm)	V(6.6mm)	H(6.4mm)	V(4.8mm)
300mm	-0.194X	95.1632	71.3724	46.52	34.89	33.84	25.38
350mm	-0.163X	113.6352	85.2264	55.55	41.67	40.40	30.30
400mm	-0.140X	132.1136	99.0852	64.59	48.44	46.97	35.23
450mm	-0.123X	150.5904	112.9428	73.62	55.22	53.54	40.16
500mm	-0.109X	169.0832	126.8124	82.66	62.00	60.12	45.09
550mm	-0.099X	187.5472	140.6604	91.69	68.77	66.68	50.01
600mm	-0.090X	206.0272	154.5204	100.72	75.54	73.25	54.94
650mm	-0.082X	224.5056	168.3792	109.76	82.32	79.82	59.87
700mm	-0.076X	242.984	182.238	118.79	89.09	86.39	64.80

PMS-50XC12M Product Dimension



Unit: mm

