

POMEAS 1.1" FA Lens Series:
20MP: PMS-35UC20M-H



Product Introduction

- ◆ High resolution.
- ◆ Multi layer coating, high transmittance, effective suppression of stray light.
- ◆ Compact structure, small shape, more suitable for integrated application.
- ◆ Lower distortion rate for more application requirements.

Product Application

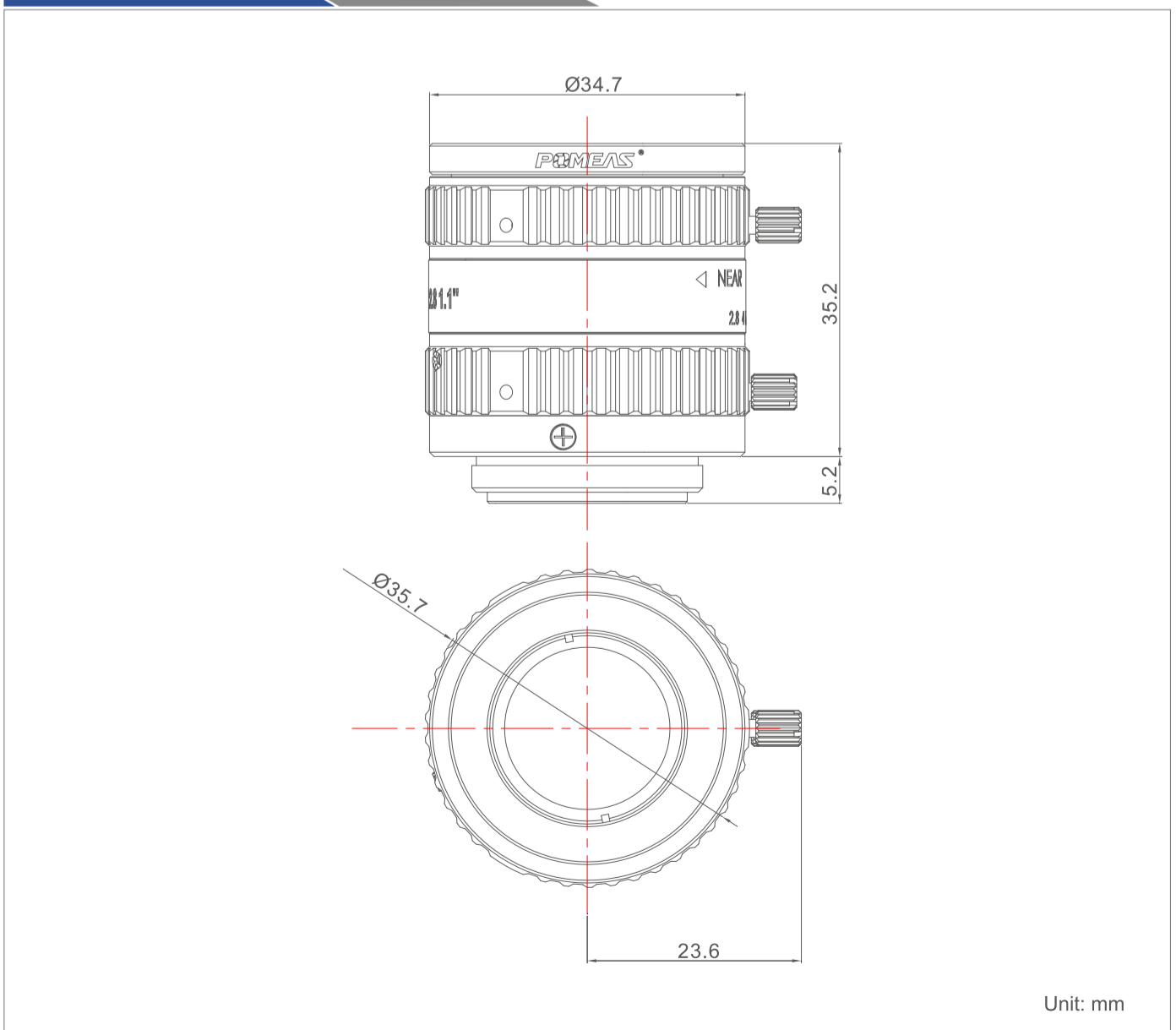
Widely used in machine vision, production automation and other industries.

PMS-35UC20M-H Product Parameter

Model		PMS-35UC20M-H
Sensor Size		1.1"(17.6mm)
Wavelength		420~1000nm
Focal Length		35mm
Interface		C-Mount
Iris		F2.8-F22
FOV(Diagonal, Horizontal, Vertical)	1.1"	28.18°×22.54°×16.9°
	1"	26.10°×20.83°×15.72°
	1/2"	13.28°×10.65°×7.94°
	1/3"	9.92°×7.92°×6.00°
Object Size(At the closest focusing distance)	1.1"	88.72×70.96×53.24mm
	1"	81.10×64.88×48.66mm
	1/2"	40.52×32.42×24.31mm
	1/3"	30.42×24.34×18.25mm
Back Focal Length (In Air)		12.9mm
Operation Mode	Focus	Manual
	Iris	Manual
Distortion	1.1"	0.37%@y=8.8mm
	1"	0.28%@y=8.0mm
	1/2"	0.07%@y=4.0mm
	1/3"	0.04%@y=3.0mm
Focus Range		0.2m~∞
Filter Thread Diameter		M30.5×P0.5
Weight		68.35g
Working Temperature		-20°C~+60°C

Working Distance	Magnification	FOV					
		1.1"		1"		2/3"	
		H(14.08mm)	V(10.56mm)	H(12.8mm)	V(9.6mm)	H(8.8mm)	V(6.6mm)
200mm	-0.19823X	71.444	53.583	64.949	48.712	44.652	33.489
250mm	-0.1544X	91.666	68.750	83.333	62.500	57.291	42.968
300mm	-0.12644X	111.913	83.935	101.739	76.304	69.946	52.459
350mm	-0.10706X	132.155	99.116	120.141	90.106	82.597	61.948
400mm	-0.09283X	152.391	114.294	138.538	103.903	95.245	71.433
450mm	-0.08194X	172.624	129.468	156.931	117.698	107.890	80.918
500mm	-0.07333X	192.989	144.742	175.445	131.584	120.618	90.464
550mm	-0.06636X	213.087	159.815	193.715	145.286	133.179	99.884
600mm	-0.0606X	233.316	174.987	212.106	159.079	145.823	109.367
650mm	-0.05576X	253.544	190.158	230.494	172.871	158.465	118.849
750mm	-0.04809X	293.997	220.498	267.270	200.453	183.748	137.811
1000mm	-0.03577X	395.122	296.341	359.202	269.401	246.951	185.213

PMS-35UC20M-H Product Dimension



Unit: mm

