

POMEAS 1.1" FA Lens Series :

20MP: PMS-16UC20M



Product Description

- ◆ Support 20MP 1.1" Camera.
- ◆ Focus locking screw and Aperture locking screw.
- ◆ Low distortion imaging.
- ◆ Compact structure design, excellent optical performance.

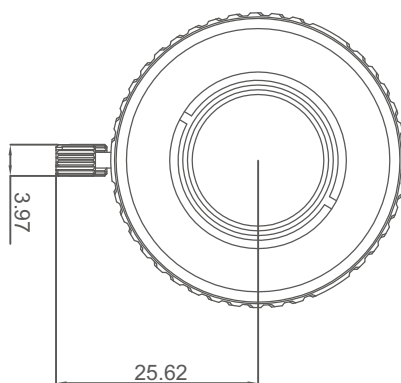
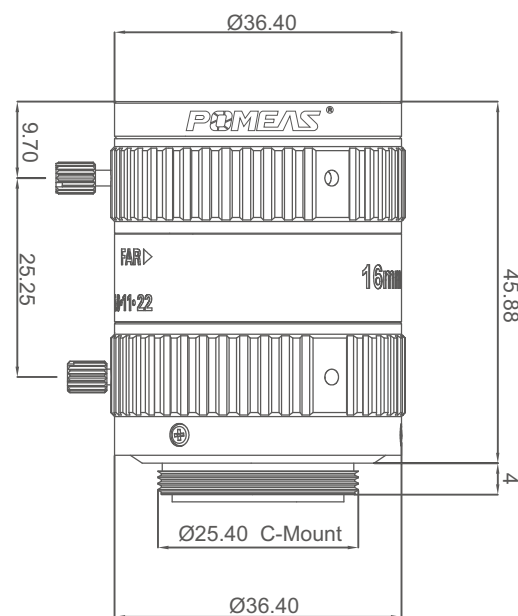
Applications

Widely used in machine vision production automation and other industries.

PMS-16UC20M Product Parameters

Code		PMS-16UC20M
Max. Sensor Size		1.1"
Focal Length		16mm
Iris Range		F2.8
Resolution		20MP
Distortion Rate		-0.73%@y=8.8mm
Optical Back Focal Length (in Air)		11.2mm
FOV(D×H×V)		58.6°×46.8°×35.2°
Operation Method	Focus	Manual
	Iris	Manual
Interface		C-Mount
Weight		0.025kg
Filter Size		M34×0.5
Work Temperature		-20°C~+60°C

PMS-16UC20M Product Size



Unit: mm	Weight: 0.025KG	Code	PMS-16UC20M
Perspective:		Name	16mm 1.1" 2000W
		Date	2021/07/06

