

POMEAS Flat Light Series :



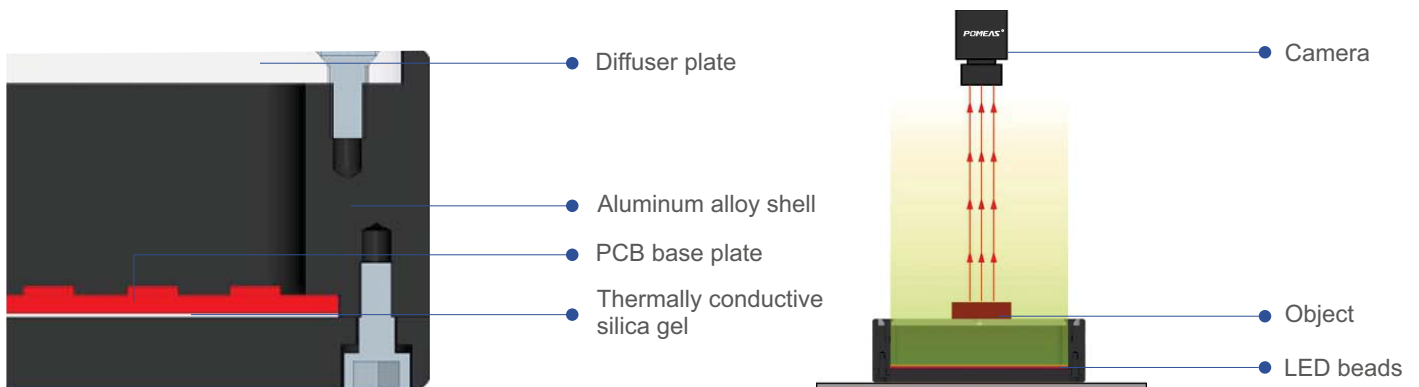
Product Advantages

The flat light source is a plane illumination. The LED is evenly distributed at the bottom of the light source after structural optimization, and forms a uniform illumination light on the flat after being diffused by the diffuser plate. The light source brightness can be increased by 20% to 50%, which is superior to other similar light sources in the market. It is usually used for contour detection.

Application Fields

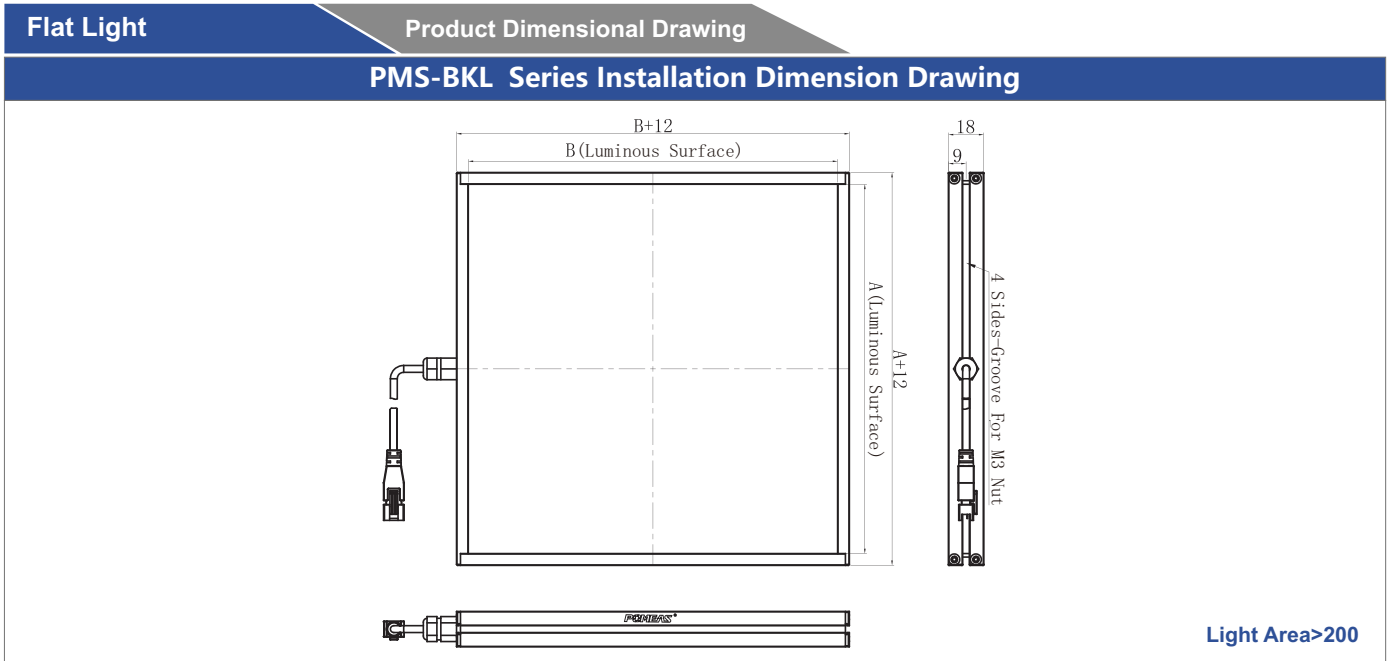
- ◆ Profile measurement.
- ◆ Dimension measurement.
- ◆ Detection of scratches, stains or internal foreign matters and damages on the flat of transparent objects.
- ◆ Broken glass bottles, foreign matter detection.

Illumination Structure



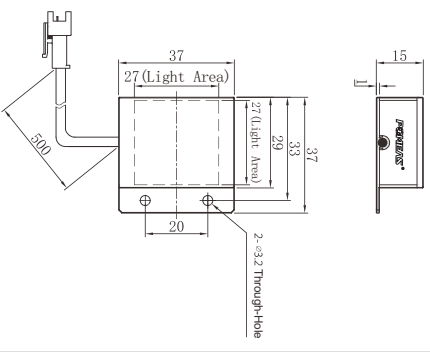
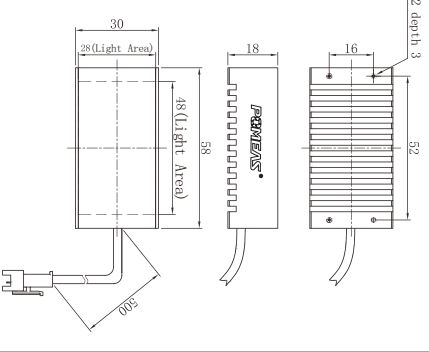
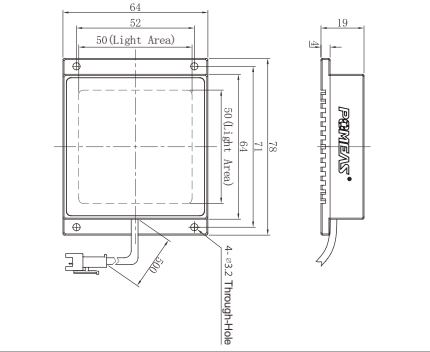
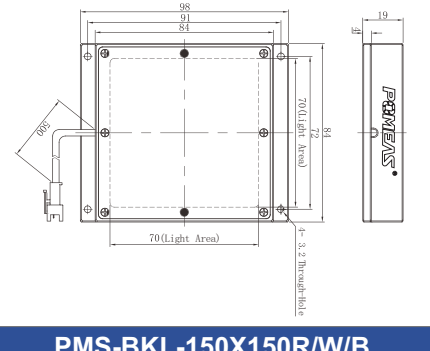
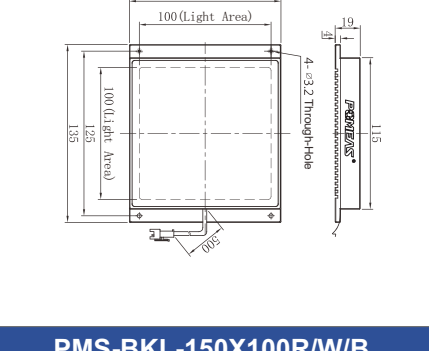
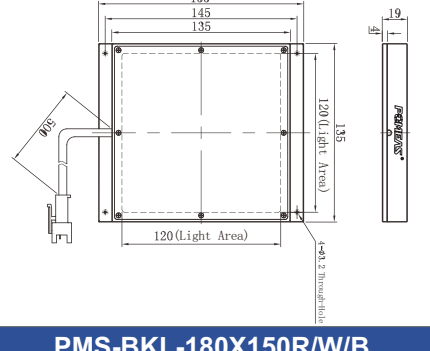
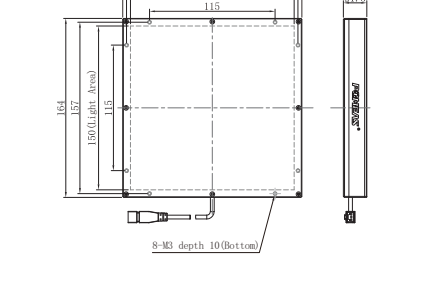
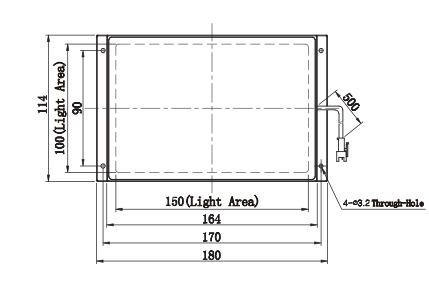
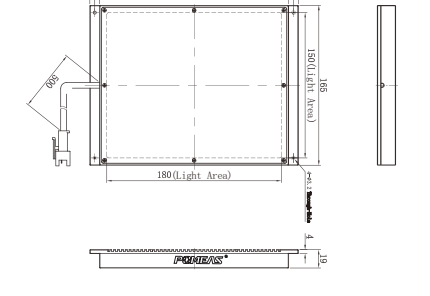
Flat Light	Product Parameter					
Peak Wavelength	Red: 620-630nm 645-660nm	Green: 525nm	Blue: 470nm	White(CT) : 6500K(Temperature)	IR: 850-950nm	UV: 365-395nm
Controller	PMS-PI2404-4-RS232T					
Environment Temperature	Temperature:0-40°C ; Humidity: 20-85%RH(Non-condensing)					
Optional	Diffuser plate (A few available) Extended line (Optional, Standard length 0.5m)					
Expected Service Life	When the ambient temperature is 25°C, the white light works continuously at 50% brightness for more than 30000h (When attenuation 50%)					
Product Advantage	All products are delivered with one-year standard free technical support, and can be customized according to the characteristics of the measured object, working distance, illumination angle, color and field of view according to customer requirements.					

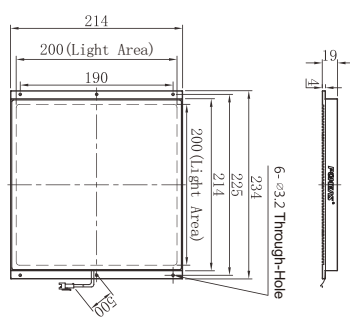
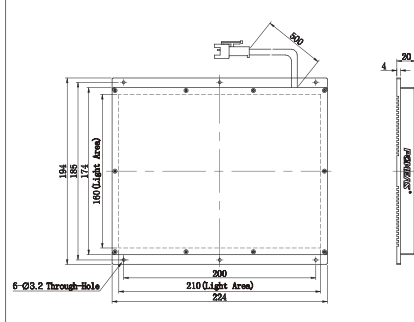
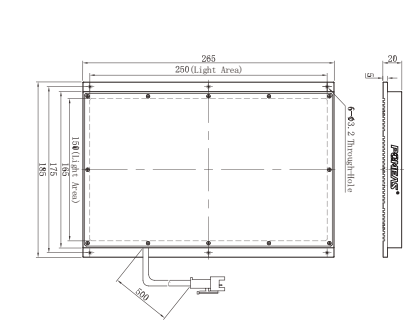
Flat Light		Product Model & Specification				
Ex-Diameter	Model	Power	Voltage	Color	CT/Wavelength	
Small	PMS-BKL-200X250R/W/B	27W	24V	Red	625nm	
		40W	24V	White	6500k	
		40W	24V	Blue	470nm	
	PMS-BKL-200X300R/W/B	32W	24V	Red	625nm	
		48W	24V	White	6500k	
		48W	24V	Blue	470nm	
	PMS-BKL-200X350R/W/B	37W	24V	Red	625nm	
		56W	24V	White	6500k	
	PMS-BKL-200X400R/W/B	56W	24V	Blue	470nm	
		43W	24V	Red	625nm	
	Large	PMS-BKL-250X250R/W/B	64W	24V	White	6500k
			64W	24V	Blue	470nm
33W			24V	Red	625nm	
PMS-BKL-250X300R/W/B		50W	24V	White	6500k	
		50W	24V	Blue	470nm	
		40W	24V	Red	625nm	
PMS-BKL-250X350R/W/B		60W	24V	White	6500k	
		60W	24V	Blue	470nm	
		47W	24V	Red	625nm	
PMS-BKL-250X400R/W/B		70W	24V	White	6500k	
		70W	24V	Blue	470nm	
		53W	24V	Red	625nm	
PMS-BKL-300X300R/W/B	80W	24V	White	6500k		
	80W	24V	Blue	470nm		
	48W	24V	Red	625nm		
PMS-BKL-300X350R/W/B	72W	24V	White	6500k		
	72W	24V	Blue	470nm		
	56W	24V	Red	625nm		
PMS-BKL-300X400R/W/B	84W	24V	White	6500k		
	84W	24V	Blue	470nm		
	64W	24V	Red	625nm		
		96W	24V	White	6500k	
		96W	24V	Blue	470nm	



Flat Light		Product Model & Specification			
Ex-Diameter	Model	Power	Voltage	Color	Options
Small	PMS-BKL-27X27R/W/B	0.8W	24V	Red	625nm
		1.2W	24V	White	6500k
		1.2W	24V	Blue	470nm
	PMS-BKL-48X28R/W/B	1.6W	24V	Red	625nm
		2.4W	24V	White	6500k
		2.4W	24V	Blue	470nm
Large	PMS-BKL-50X50R/W/B	2.4W	24V	Red	625nm
		3.6W	24V	White	6500k
		3.6W	24V	Blue	470nm
	PMS-BKL-70X70R/W/B	4W	24V	Red	625nm
		6W	24V	White	6500k
		6W	24V	Blue	470nm
PMS-BKL-100X100R/W/B	5.8W	24V	Red	625nm	
	13W	24V	White	6500k	
	13W	24V	Blue	470nm	

Flat Light		Product Model & Specification			
Ex-Diameter	Model	Power	Voltage	Color	CT/Wavelength
Small	PMS-BKL-120X120R/W/B	8W	24V	Red	625nm
		11W	24V	White	6500k
		11W	24V	Blue	470nm
	PMS-BKL-150X150R/W/B	12W	24V	Red	625nm
		19W	24V	White	6500k
		19W	24V	Blue	470nm
	PMS-BKL-150X100R/W/B	8W	24V	Red	625nm
		13.2W	24V	White	6500k
		13.2W	24V	Blue	470nm
	PMS-BKL-180X150R/W/B	12.5W	24V	Red	625nm
		19.2W	24V	White	6500k
		19.2W	24V	Blue	470nm
Large	PMS-BKL-200X200R/W/B	20.2W	24V	Red	625nm
		29W	24V	White	6500k
		29W	24V	Blue	470nm
	PMS-BKL-210X160R/W/B	22W	24V	Red	625nm
		30W	24V	White	6500k
		30W	24V	Blue	470nm
PMS-BKL-250X150R/W/B	18W	24V	Red	625nm	
	28W	24V	White	6500k	
	28W	24V	Blue	470nm	
PMS-BKL-320X240R/W/B	37W	24V	Red	625nm	
	56W	24V	White	6500k	
	56W	24V	Blue	470nm	

Flat Light		Product Dimensional Drawing	
PMS-BKL-27X27R/W/B	PMS-BKL-48X28R/W/B	PMS-BKL-50X50R/W/B	
			
PMS-BKL-70X70R/W/B	PMS-BKL-100X100R/W/B	PMS-BKL-120X120R/W/B	
			
PMS-BKL-150X150R/W/B	PMS-BKL-150X100R/W/B	PMS-BKL-180X150R/W/B	
			

Flat Light		Product Dimensional Drawing	
PMS-BKL-200X200R/W/B 		PMS-BKL-210X160R/W/B 	
PMS-BKL-250X150R/W/B 			
PMS-BKL-320X240R/W/B 