

POMEAS Parallel Flat Illumination Series :



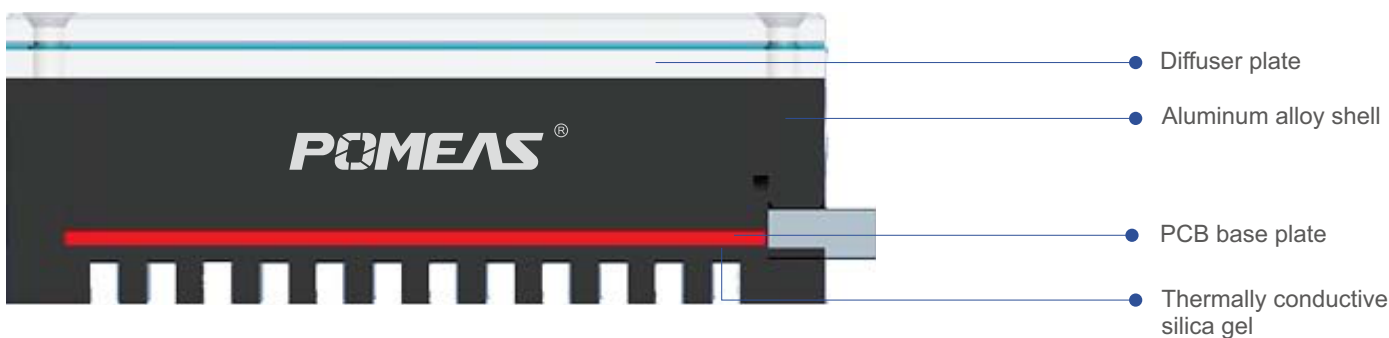
Product Advantages

The parallel flat light source is a flat emitting light source, which has better direction. The LED is uniformly distributed at the bottom of the light source through structural optimization. After passing through the diffusion light guide plate, the illumination light with uniform brightness is formed on the flat. Special optical materials are arranged on the flat to further optimize the illumination light. Usually used for profile detection.

Application Fields

- ◆ Profile measurement.
- ◆ Dimension measurement.
- ◆ Detection of scratches, stains or internal foreign matters and damages on the flat of transparent objects.
- ◆ Broken glass bottles, foreign matter detection.

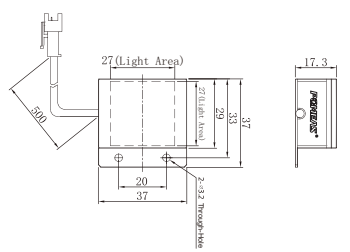
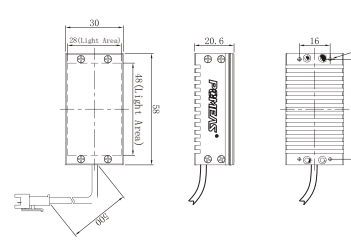
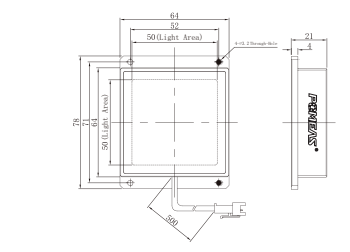
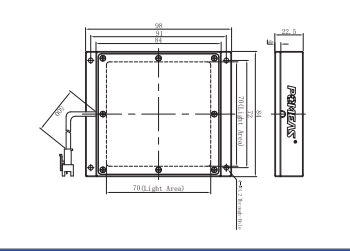
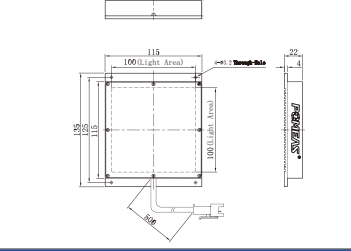
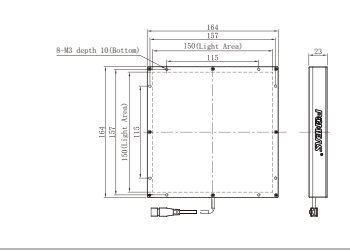
Illumination Structure



Parallel Surface Illumination		Product Parameter				
Peak Wavelength	Red: 620-630nm 645-660nm	Green: 525nm	Blue: 470nm	White(CT) : 6500K(Temperature)	IR: 850-950nm	UV: 365-395nm
Controller	PMS-PI2404-4-RS232T					
Environment Temperature	Temperature:0-40°C ; Humidity: 20-85%RH(Non-condensing)					
Optional	Diffuser plate (A few available) Extended line (Optional, Standard length 0.5m)					
Expected Service Life	When the ambient temperature is 25°C, the white light works continuously at 50% brightness for more than 30000h (When attenuation 50%)					
Product Advantage	All products are delivered with one-year standard free technical support, and can be customized according to the characteristics of the measured object, working distance, illumination angle, color and field of view according to customer requirements.					



Parallel Flat Illumination		Product Model & Specification			
Ex-Diameter	Model	Power	Voltage	Color	CT/Wavelength
Small	PMS-BHL-27X27R/W/B	0.8W	24V	Red	625nm
		1.2W	24V	White	6500k
		1.2W	24V	Blue	470nm
	PMS-BHL-48X28R/W/B	1.6W	24V	Red	625nm
		2.4W	24V	White	6500k
		2.4W	24V	Blue	470nm
	PMS-BHL-50X50R/W/B	2.4W	24V	Red	625nm
		3.6W	24V	White	6500k
		3.6W	24V	Blue	470nm
	PMS-BHL-70X70R/W/B	4W	24V	Red	625nm
		6W	24V	White	6500k
		6W	24V	Blue	470nm
Large	PMS-BHL-100X100R/W/B	5.8W	24V	Red	625nm
		13W	24V	White	6500k
		13W	24V	Blue	470nm
	PMS-BHL-150X150R/W/B	12W	24V	Red	625nm
		19W	24V	White	6500k
		19W	24V	Blue	470nm
	PMS-BHL-150X100R/W/B	8W	24V	Red	625nm
		13.2W	24V	White	6500k
		13.2W	24V	Blue	470nm
	PMS-BHL-200X200R/W/B	20.2W	24V	Red	625nm
		29W	24V	White	6500k
		29W	24V	Blue	470nm

Parallel Flat Illumination		Product Dimensional Drawing	
PMS-BHL-27×27R/W/B	PMS-BHL-48×28R/W/B	PMS-BHL-50×50R/W/B	
			
PMS-BHL-70×70R/W/B	PMS-BHL-100×100R/W/B	PMS-BHL-150×150R/W/B	
			
PMS-BHL-150×100R/W/B	PMS-BHL-200×200R/W/B		
