

POMEAS Compact Parallel Light Source Series:

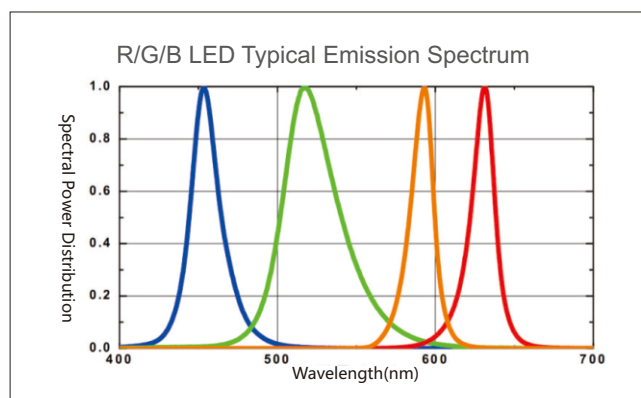
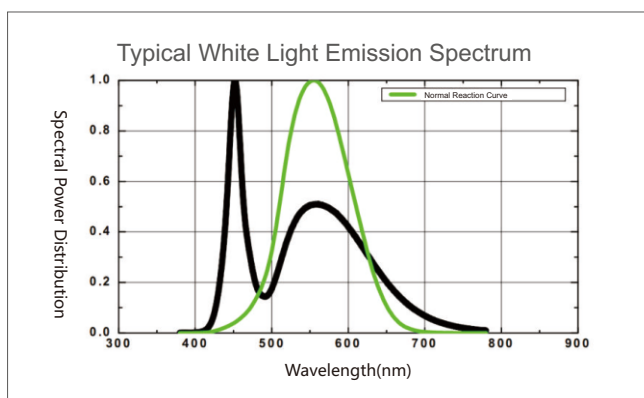
Work with telecentric lens, support 35~265mm diameter parallel light.



Product Advantages

- ◆ Telecentric parallel LED light source is designed for backlight lighting.
- ◆ Improved the edge contour contrast of the detected product in the detection system ,eliminates boundary effects.
- ◆ Maximize the natural depth of field and telecentricity of telecentric lens.

Spectral Graphs



Compact Parallel Light Source

Product Model & Specification

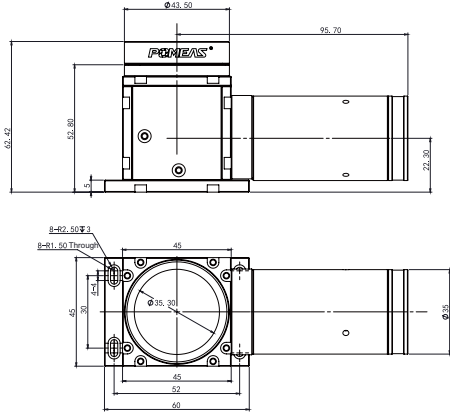
Model	Beam Diameter	Work Distance	Mechanical Specifications			Forward Voltage	Forward Current	Color
			Length	Width	Thickness			
PMS-LTD-30LR/G/B/W	30mm	45-90mm	121.16mm	43.5mm	62.39mm	3.5V	350mA	
PMS-LTD-60LR/G/B/W	60mm	90-180mm	171.5mm	73mm	92mm	3.5V	350mA	
PMS-LTD-100LR/G/B/W	100mm	150-300mm	235.5mm	116mm	147.5mm	3.5V	350mA	
PMS-LTD-145LR/G/B/W	145mm	100-300mm	325mm	162mm	176mm	3.5V	350mA	
PMS-LTD-189LR/G/B/W	189mm	250-500mm	356mm	214mm	252mm	3.5V	350mA	
PMS-LTD-265LR/G/B/W	265mm	150-500mm	438.26mm	340mm	337.5mm	3.5V	350mA	



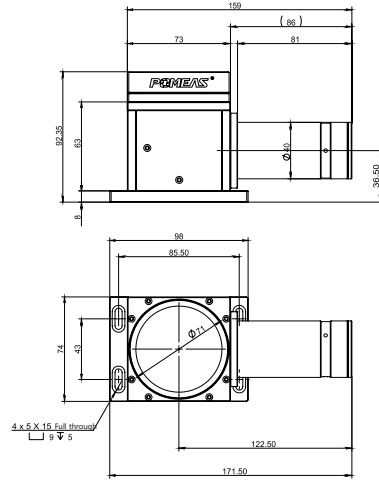
Parallel Light

Product Dimensional Drawing

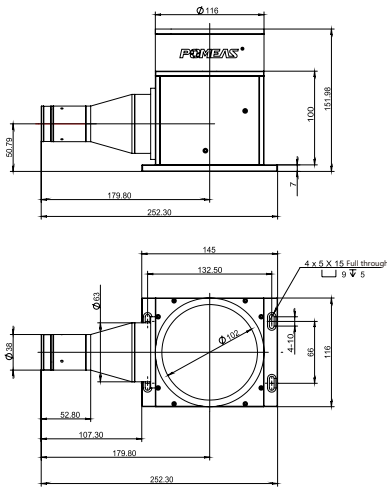
PMS-LTD-30LR/G/B/W



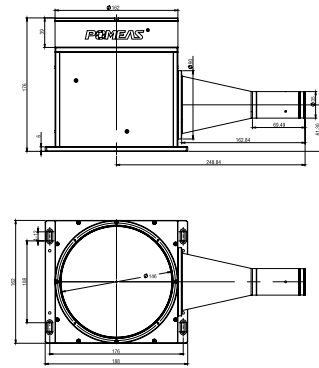
PMS-LTD-60LR/G/B/W



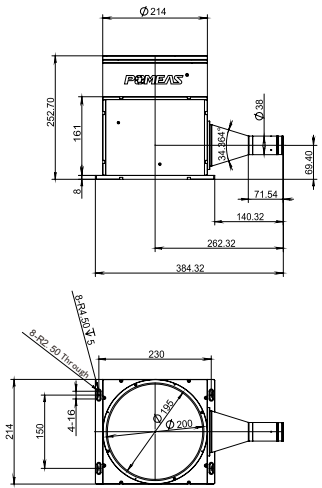
PMS-LTD-100LR/G/B/W



PMS-LTD-145LR/G/B/W



PMS-LTD-189LR/G/B/W



PMS-LTD-265LR/G/B/W

