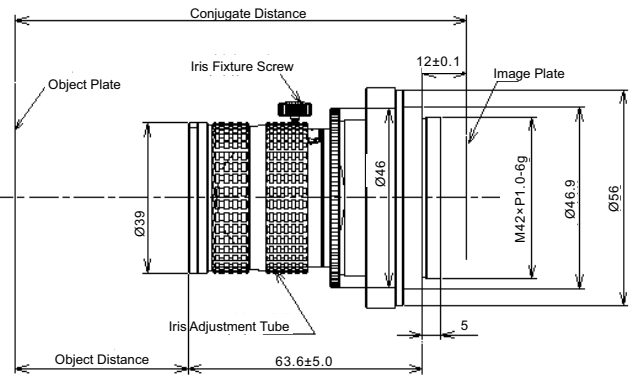
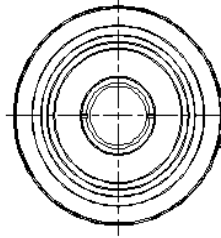


**PMS-LLD020-3528M**

**Description**



※ The max. sensor Φ32mm image, ultra-low distortion, shock-proof design, Standard Mag. range 0.15X ~ 0.25X.

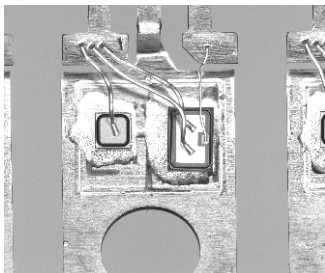
**PMS-LLD020-3528M**

**Parameters**

Code	PMS-LLD020-3528M		
Max. FOV (mm)	Ø32		
Resolution (µm)	7		
Standard Mag. (X)	0.15	0.2	0.25
Aperture	2.8~16		
Focus (mm)	35		
Distortion	<0.05%		
Relative Illumination	65%		
Working Distance (mm)	245	190	152
Conjugate Distance (mm)	318	264	229
Mount	M42/M72/F-Mount		

**PMS-LLD020-3528M**

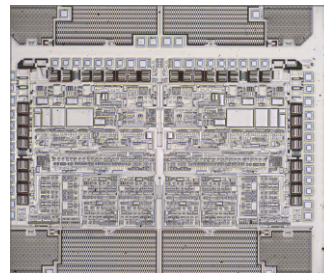
**Product Case**



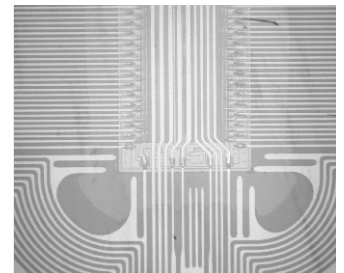
Defect Detection



Surface Pattern And Color Detection



PCB Defect Detection



PCB Detection

