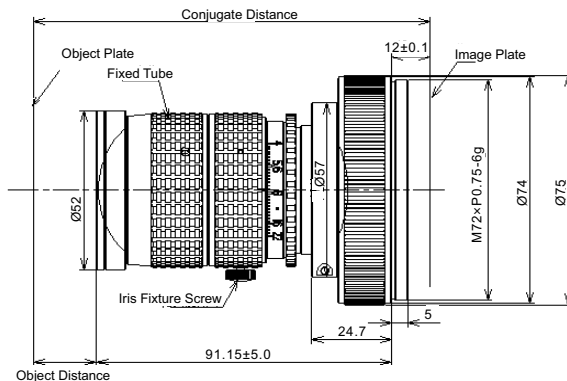
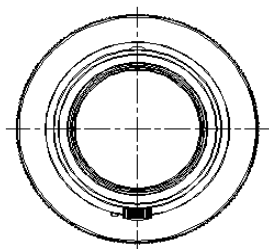


PMS-LLD010-5040M

Description



※ The max. sensor $\Phi 62\text{mm}$ image, ultra-low distortion, shock-proof design, Standard Mag. range 0.07X ~ 0.13X.

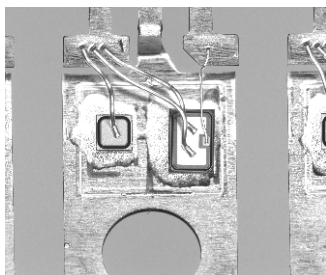
PMS-LLD010-5040M

Parameters

Code	PMS-LLD010-5040M		
Max. FOV (mm)	$\Phi 62$		
Resolution (μm)	5/7		
Standard Mag. (X)	0.07	0.1	0.13
Aperture	4.0~22		
Focus (mm)	50		
Distortion	<0.05%		
Relative Illumination	60%		
Working Distance (mm)	735	515	405
Conjugate Distance (mm)	839.2	626	512.4
Mount	M42/M58/M72/F-Mount		

PMS-LLD010-5040M

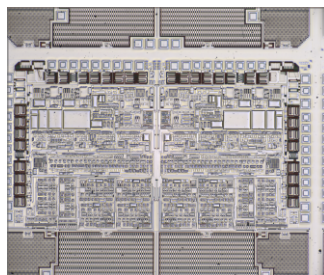
Product Case



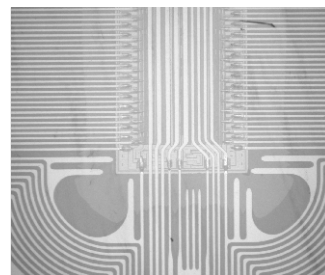
Defect Detection



Surface Pattern And Color Detection



PCB Defect Detection



PCB Detection

