



PMS-1ST85

Standard Telecentric Lens 1.0X, Max. sensor size 2/3", WD 85mm.

Max.Sensor Size
2/3"

Magnification
1.0X

Working Distance
85mm

Resolution
8.39μm

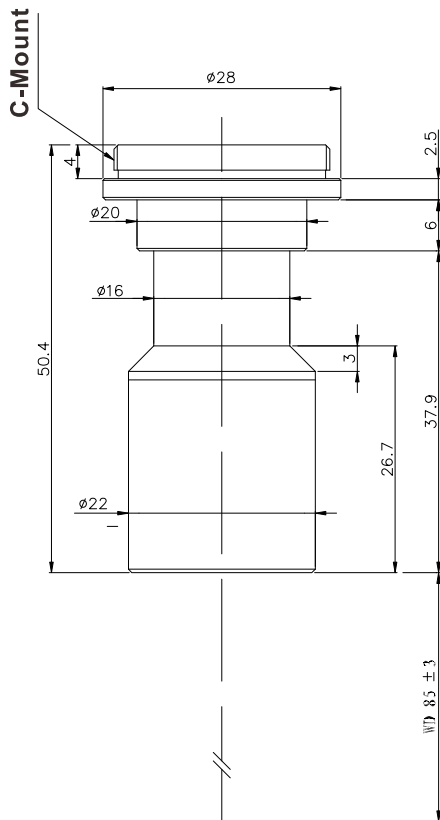
C-Mount

Products Advantage

1. Support 1MP camera or below
2. Low distortion, high telecentricity and deep depth of field, more suitable for high precision positioning and measuring
3. Telecentric design
4. Support 2/3" sensor
5. Standard C-Mount

Dimension Drawing

Unit:mm



Parametric

Code		PMS-1ST85
Magnification		1.0X
Field of View	1/4"	3.2mmx2.4mm
	1/3"	4.8mmx3.6mm
	1/2.5"	5.7mmx4.3mm
	1/2.3"	6.2mmx4.6mm
	1/2"	6.4mmx4.8mm
	1/1.8"	7.1mmx5.4mm
	2/3"	8.8mmx6.6mm
Working Distance		85mm
Resolution		8.39μm
F.No.		12.4
TV Distortion		0.002%
Depth of Field*1		1.00mm
N.A.		0.04
Max.Sensor Size		2/3"
Mount		C-Mount
Illumination		----
Working Temperature		-10°C~+50°C

