



PMS-Z125D

With the perfect combination of high resolution and big magnification ratio, the most universal zoom lens is widely used in various industry applications.

12.5X Zoom Lens Parameter

Number		Fixed-magnification zoom lens															
Magnification		0.58X-7.5X															
Working Distance		77.4±2mm															
Optical Magnification		0.58X	0.6X	1.0X	1.5X	2.0X	2.5X	3.0X	3.5X	4.0X	4.5X	5.0X	5.5X	6X	6.5X	7X	7.5X
DOF(mm)		2.75	2.67	0.95	0.43	0.27	0.2	0.15	0.12	0.1	0.081	0.073	0.066	0.061	0.056	0.052	0.05
N.A.		0.025	0.025	0.043	0.063	0.074	0.082	0.09	0.097	0.1	0.11	0.11	0.11	0.11	0.11	0.11	0.11
F.No.		12.5	12.5	11.85	11.95	13.65	15.3	16.5	18.4	19.9	20.4	22.45	22.7	26.8	29.4	31.7	33.9
Resolution(μm)		13	13	7.8	5.3	4.53	4.09	3.73	3.46	3.36	3.05	3.05	3.05	3.05	3.05	3.05	3.05
TV Distortion		0.050%	0.050%	0.002%	0.010%	0.020%	0.003%	0.020%	0.20%	0.018%	0.020%	0.010%	0.010%	0.001%	0.010%	0.005%	0.005%
FOV(mm) D x H x V	Diagonally	18.97	18.33	11.00	7.33	5.50	4.40	3.67	3.14	2.75	2.44	2.20	2.00	1.83	1.69	1.57	1.47
	Horizontal Line	15.17	14.67	8.80	5.87	4.40	3.52	2.93	2.51	2.20	1.96	1.76	1.60	1.47	1.35	1.26	1.17
	Vertical Line	11.38	11.00	6.60	4.40	3.30	2.64	2.20	1.89	1.65	1.47	1.32	1.20	1.10	1.02	0.94	0.88
Max. Sensor Size		2/3"															
Mount		C-Mount															
Mode of zoom		Manual Zoom															
Focus Adjustment		/															

PRODUCT ADVANTAGES

1. Professional optical design, optical magnification 0.58x-7.5x, magnification ratio 12.5:1.
2. Big FOV application, based on 2/3" camera.
3. Compact structure, easily for assembly and installation.

APPLICATION FIELDS

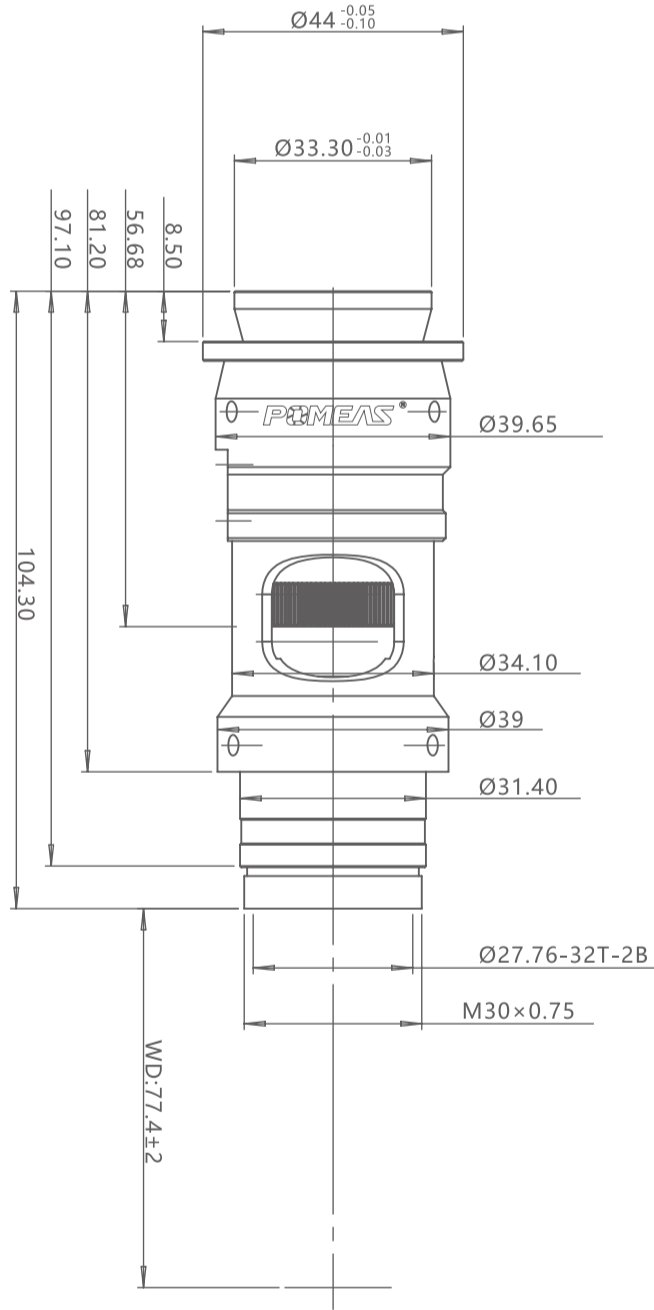
It Can Be Used in Semiconductor Automation, Electronic communication And Other industries.

CONTROLLER BOX

The integrated motorized control system is suitable for all the POMEAS zoom lenses. Motorized controlling system can control single or dual shafts via RS212 or USB. The underlying software code for the OEM platform will also be provided.

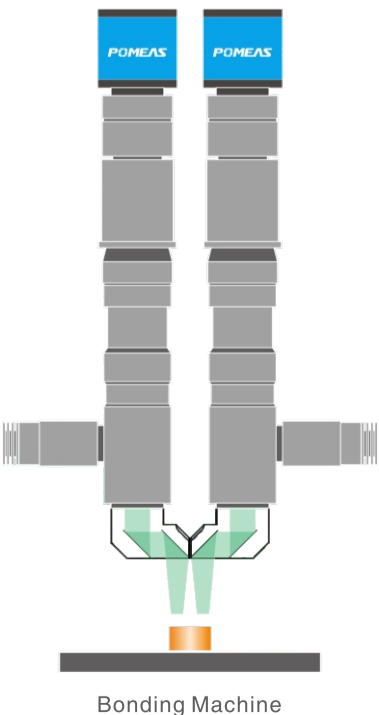
Dimension Drawing

Unit:mm



Product Cases

EXAMPLES OF APPLICATION



Bonding Machine

ACTUAL IMAGE

